

UNLESS OTHERWISE SPECIFIED:
DIMENSIONS ARE IN MILLIMETERS
SURFACE FINISH:
TOLERANCES:
LINEAR:
ANGULAR:

FINISH:
Machined/Linished

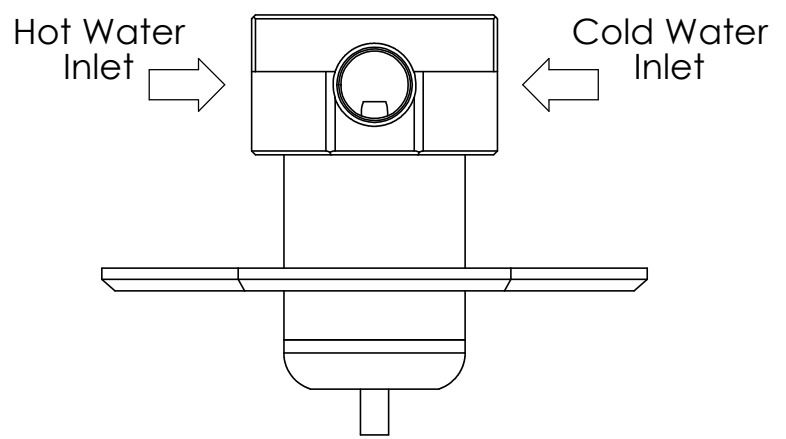
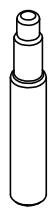
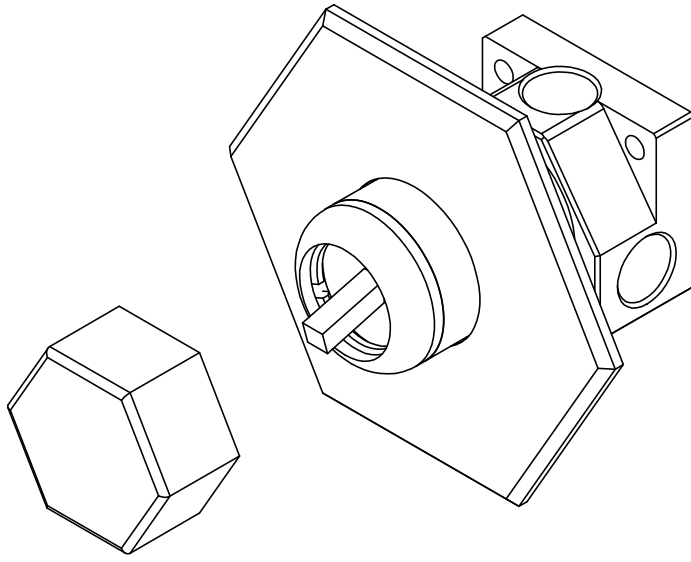
DEBUR AND
BREAK SHARP
EDGES

DO NOT SCALE DRAWING REVISION

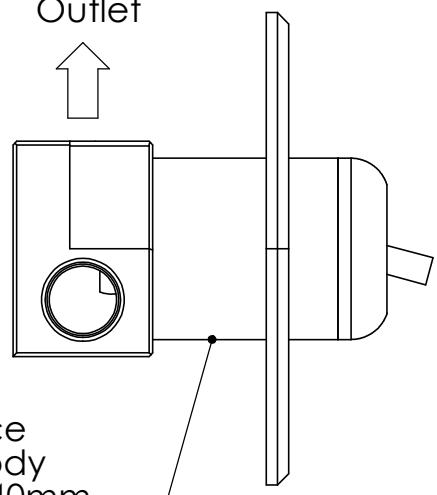
© Rainware Pty Ltd 2013

NAME	SIGNATURE	DATE		
DRAWN Stevan Balfour		16-1-2014		
CHK'D				
APPV'D				
MFG Rainware Pty Ltd				
Q.A			MATERIAL:	
			316 Stainless Steel	
			WEIGHT:	

TITLE:	8500 Miami Mixer
DWG NO.	
SCALE: Not To Scale	A4
SHEET 1 OF 1	

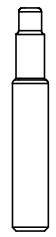
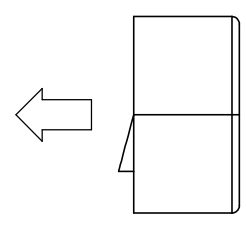


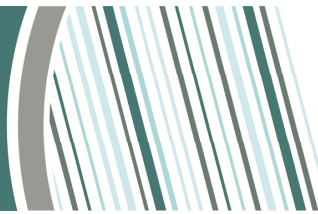
Mixed Water
Outlet



Max Distance
From Brass Body
to Cover Plate 40mm

Add Silicone to back of
Cover Plate if Required





Miami Mixer Installation Instructions

Attention Plumber:

Please leave these instructions for the owner once installed.

To ensure the optimum performance and customer satisfaction please adhere to the following:

1. **Flush out all pipe work prior to installation.**
2. **If the water pressure exceeds or is likely to exceed 1000kpa due to pressure fluctuations at any time, an approved Pressure Limiting Valve must be fitted.**
3. **If the water temperature exceeds 60deg.C an approved Tempering Valve must be fitted.**
Failure to comply with the above will void all warranties.

Technical Data

Rainware mixers are designed to be suitable for:

- **Equal Pressure Systems**
- **Minimum Water Pressure for satisfactory operation: 100kpa**
- **Recommended operating pressure: 100 - 500kpa**
- **Maximum test water pressure: 1600 kpa**
- **Maximum water temperature 80deg C.**
- **Not recommended for use with domestic gravity- feed hot water systems.**
- **Australia Standards AS 3500.1 or relevant Local Authority requirements.**
- **10 year outdoor warranty.**

Installation information

The mixer can be mounted up to 40mm behind finished wall surface.

Locate the correct position of the mixer by ensuring the Hot Inlet, enters from the left, when the outlet to the shower is at the top.

1. Position the mixer against a mounting bracket within the maximum and minimum depth allowed and fix.
2. Connect water supply to the mixer and water supply from the mixer to the shower outlet. Fit temporary stop to outlet, turn on water supply and check for leaks.
3. Place plastic cover over mixer to protect against render & paint etc.
4. After the wall lining / render is finished remove plastic cover.
5. Slide face plate over mixer (Lubrication of o'ring may be required) and fix in place with silicone.
6. Fit handle to shaft on mixer and hold in place by screwing in pin on under side. (**Do not over tighten** – damage to cartridge may occur causing the handle to fall off)

If a brown staining (TEA STAIN) occurs:

Clean your new stainless steel shower with the enclosed Hillmark Steelkleen wipe. The wipes are designed to remove finger prints, water marks and prevent brown staining. Should light scratching occur or brown staining, use a Scotch Brite green pot scourer and rub up & down the shower in the direction of the grain.(Not across the grain) To help with removal of brown staining use dishwashing liquid on a wet Scotch Brite. Please be aware we use structural grade stainless steel and sometimes there are flaws or scratches in the tube. We do our best to remove these before manufacture. To keep your shower looking good wipe over your shower regularly with Steelkleen Stainless Steel spray (purchased through most supermarkets). We use 316 Stainless Steel which doesn't rust.

Rainware use FM Mattsson cartridges model no. FMM 5911-0000

They are available for replacement through most plumbing stores and Rainware Pty Ltd.