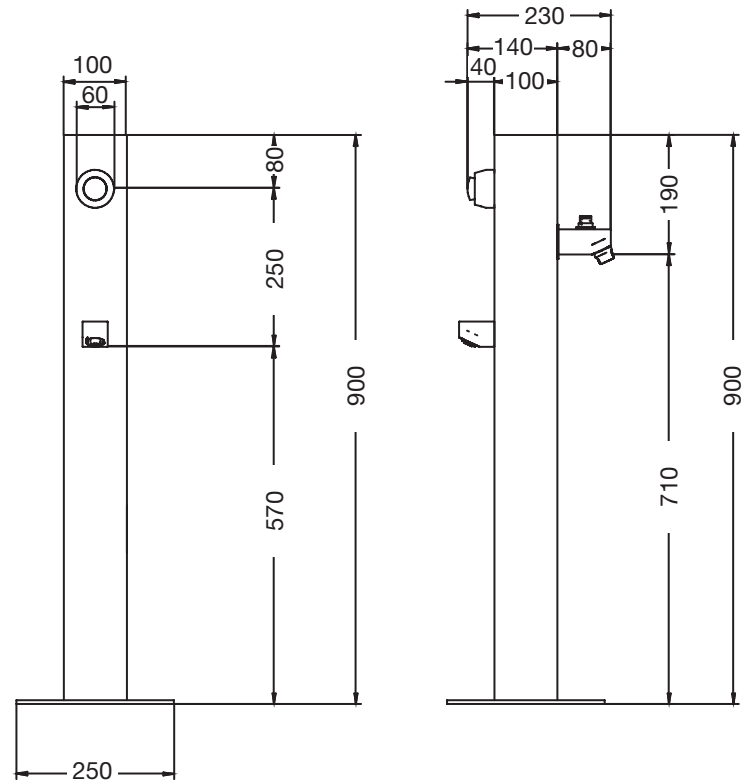
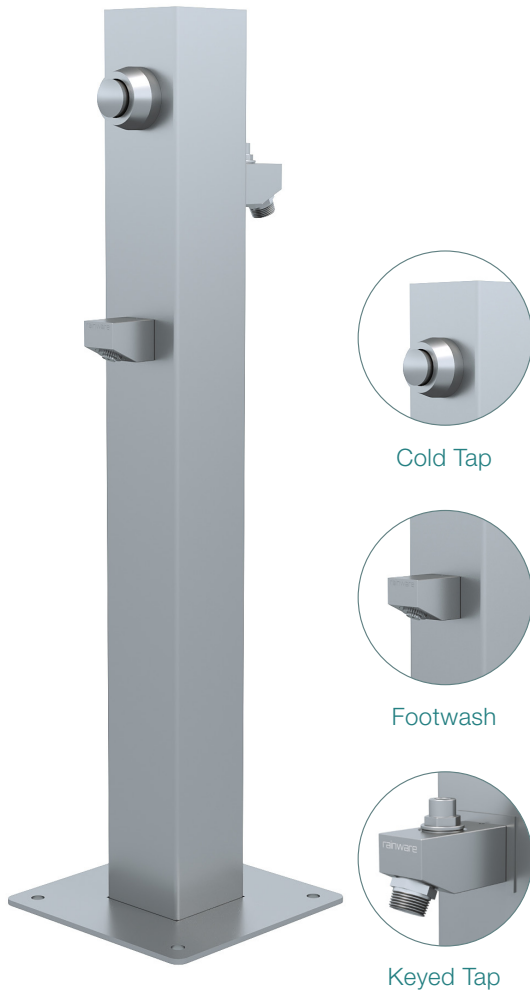


Beach Footwash & Keyed Tap 5201

Footwash - Time Flow + Keyed Utility Tap

Freestanding Utility



SPECIFICATIONS

Function	Cold Footwash - Time Flow + Keyed Tap
Dimensions in mm	100 x 100 x 900 (Base plate: 250 x 250)
Material	SS316 Marine grade stainless steel
Finish	Brushed Satin
Rating	N/A
Plumbing	Standard bottom Inlet
Fixing	Base plate mounted - fixings included
Recommended Application	<input checked="" type="checkbox"/> Residential <input checked="" type="checkbox"/> Public Space

AVAILABILITY

» Standard product - made to order, enquire on lead times.

