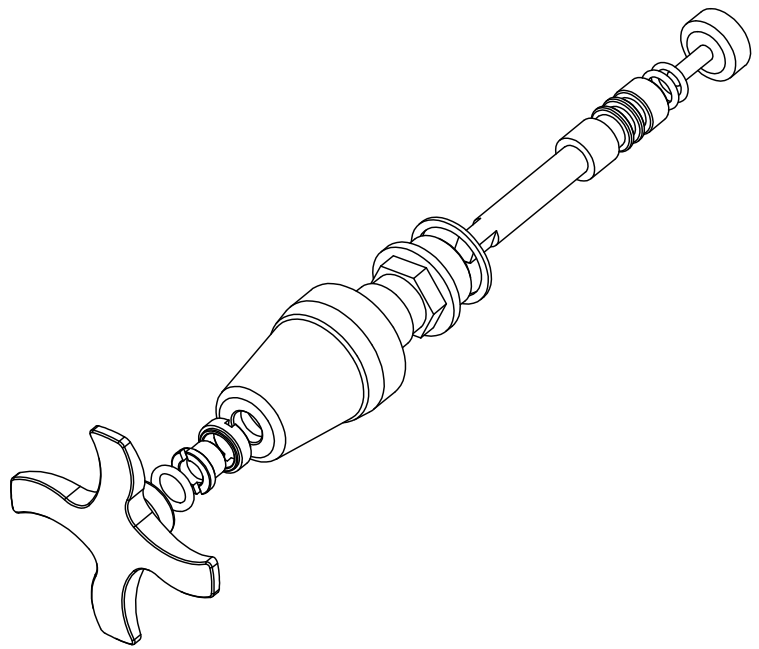
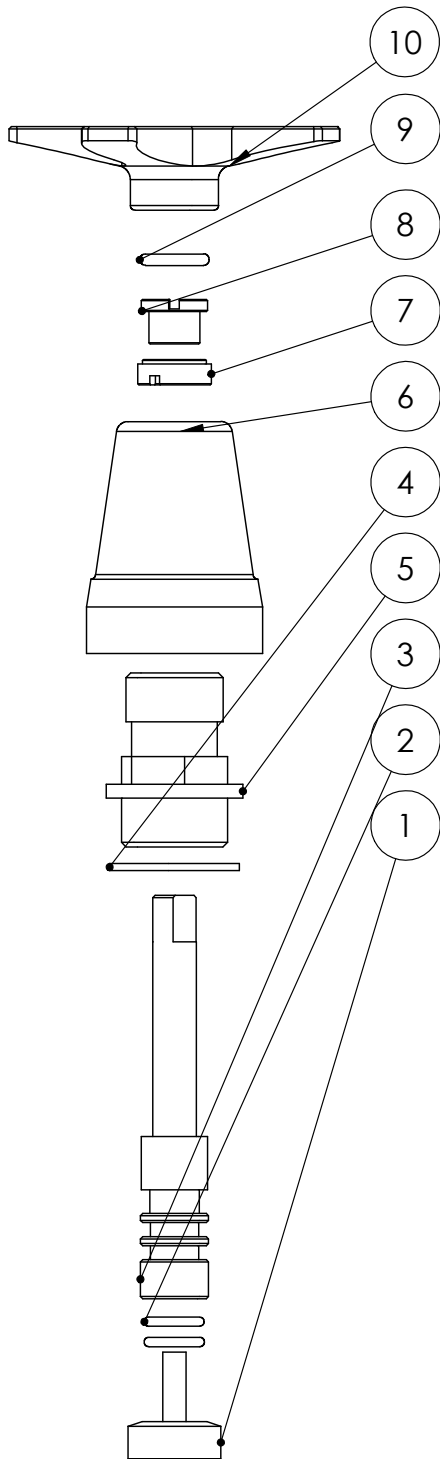


UNLESS OTHERWISE SPECIFIED: DIMENSIONS ARE IN MILLIMETERS SURFACE FINISH: TOLERANCES: LINEAR: ANGULAR:		FINISH: Machined		DEBUR AND BREAK SHARP EDGES		DO NOT SCALE DRAWING		REVISION	
						© Rainware Pty Ltd 2012			
NAME		SIGNATURE		DATE		TITLE: S/S Tapware			
DRAWN		Stevan Balfour							
CHK'D									
APPV'D									
MFG		Rainware Pty Ltd				DWG NO.		A4	
Q.A				MATERIAL: 316 Stainless Steel					
				WEIGHT:		SCALE:1:2		SHEET 1 OF 1	



ITEM NO.	PART NUMBER	DESCRIPTION	QTY.
1	C860	Doust Tap Washer	1
2	C900	Spindle O-Ring	2
3	A017	87mm Spindle	1
4	C851	Fibre Body Washer	1
5	A019	Spindle Body	1
6	A021	Bell Flange	1
7	A023	Male Handle Insert	1
8	A022	Female Handle Insert	1
9	C905	Handle O-Ring	1
10	A025	Rainware Handle	1

UNLESS OTHERWISE SPECIFIED: DIMENSIONS ARE IN MILLIMETERS SURFACE FINISH: TOLERANCES: LINEAR: ANGULAR:		FINISH: Brushed	DEBUR AND BREAK SHARP EDGES		DO NOT SCALE DRAWING	REVISION
					© Rainware Pty Ltd 2013	
					TITLE: Handle Assembly	
NAME	SIGNATURE	DATE			DWG NO.	A4
DRAWN Stevan Balfour		31/1/2013				
CHK'D						
APP'VD						
MFG Rainware Pty Ltd						
QA			MATERIAL: Various			
			WEIGHT:		SCALE: Not To Scale	SHEET 1 OF 1